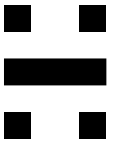


# Huddly IQ



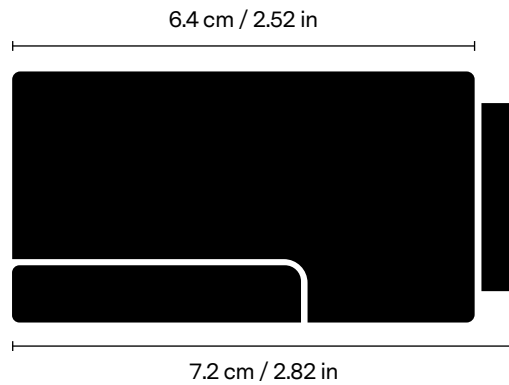
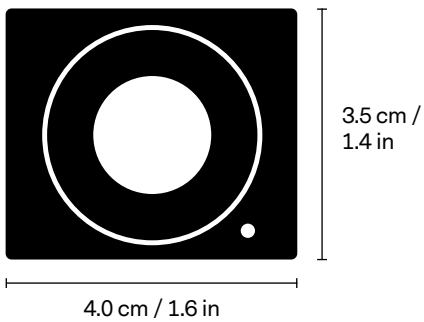
**For huddle, small and  
medium rooms.**



# Huddly IQ

## Product Information

Weight: 120 g / 0.26 lbs



## Specifications

### Image

- 12 Megapixels 1/2.3" CMOS sensor
- 1080p Full HD @ 30 fps
- 720p HD @ 30 fps
- 16:9 aspect ratio output
- UVC 1.1 plug-and-play compatible

### Optics

- Ultra-wide angle glass optics
- Horizontal field of view 120°
- Vertical field of view 90°
- Diagonal field of view 150°
- f/2.8 aperture

### Connectivity

- USB Type-C connector
- SuperSpeed USB 3
- Power requirement 5V 900mA

### Hardware

- Aluminum unibody construction
- High-performance video processing engine
- Neural compute engine
- Embedded mounting hinge
- Camera tripod mount

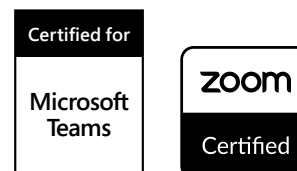
### Color

Matte Black

### Packaging Dimensions

L: 80 mm x W: 52 mm x H: 50 mm

### Certification



# Huddly IQ

## Product Information

### Features

#### Wide-Angle Lens

The camera features a wide-angle lens that ensures everyone is captured on video, even those who are close to the screen.

#### Genius Framing

The camera detects the people in its entire field of view and intelligently frames them for the best experience.

#### Digital Pan/Tilt/Zoom

The camera has no moving parts, allowing Pan, Tilt, and Zoom functions to be adjusted smoothly, silently and instantly.

#### Software-Upgradable

The camera gets even smarter over time with regular software enhancements and new intelligent features.

#### Image Enhancement

The camera automatically corrects white balance, color, and optical aberration. It reduces image noise through bias compensating spatio-temporal filtering with wide-area chroma filtering and adapts to poor lighting conditions with Dynamic Light Optimization.

#### Real-Time Dewarping

The camera's wide-angle image is dewarped and perspective corrected in real time, rendering a natural, true-to-life view.

#### Portrait Lighting

The camera uses AI to understand the lighting conditions in the image. It automatically adjusts exposure to ensure that faces are well-lit and facial expressions are clearly visible.

#### InSights Analytics API

The camera can detect and count the people within its entire field of view, with high-quality analytics data accessible via the Huddly InSights API.

#### 180° Auto-Flip

The camera automatically provides the correct view when mounted upside down.

### Room Examples

